

## Electric Column Lift System

### Product Details

- Works with 15, 40, 45 series T-slot profiles
- Max load: 660 lbs (300 kg) per leg up to 3,300 lbs (8-legs)
- Max stroke: 15.750" (400mm)
- Retracted height of legs: 24.803" (630mm)
- Extended height of legs: 40.551" (1030mm)
- ISO Class 7 (US Cleanroom Class 10,000): full load
- Integrated tilt sensor
- PLC compatibility (see user manual for more information)
- Includes 3 programmable height settings, and a digital readout of current height
- Requires base plates available for mounting to T-slot or caster (sold separately) see page 4

### Electric Column Lift System Kits (included components)

Part No.	Column Legs	Controller Box	Memory Controller
50020	2	-	-
50021	2	1	1
50041	4	1	1

### Electric Column Lift System Specifications (per number of column legs)

Column Leg Qty	Control Box (110v) Qty	Max System Load		Stroke Length		Lift Speed	Duty Cycle On/Off
		kg	lbs	mm	in		
1	1	300	660	400	15.750	6-8.5mm/sec (.24-.31 in/sec) *load dependent	2/40
2	1	600	1320	400	15.750		
3	1	750	1650	400	15.750		
4	1	1000	2200	400	15.750		
5	2	1100	2425	400	15.750		
6	2	1200	2645	400	15.750		
7	2	1300	2865	400	15.750		
8	2	1500	3300	400	15.750		

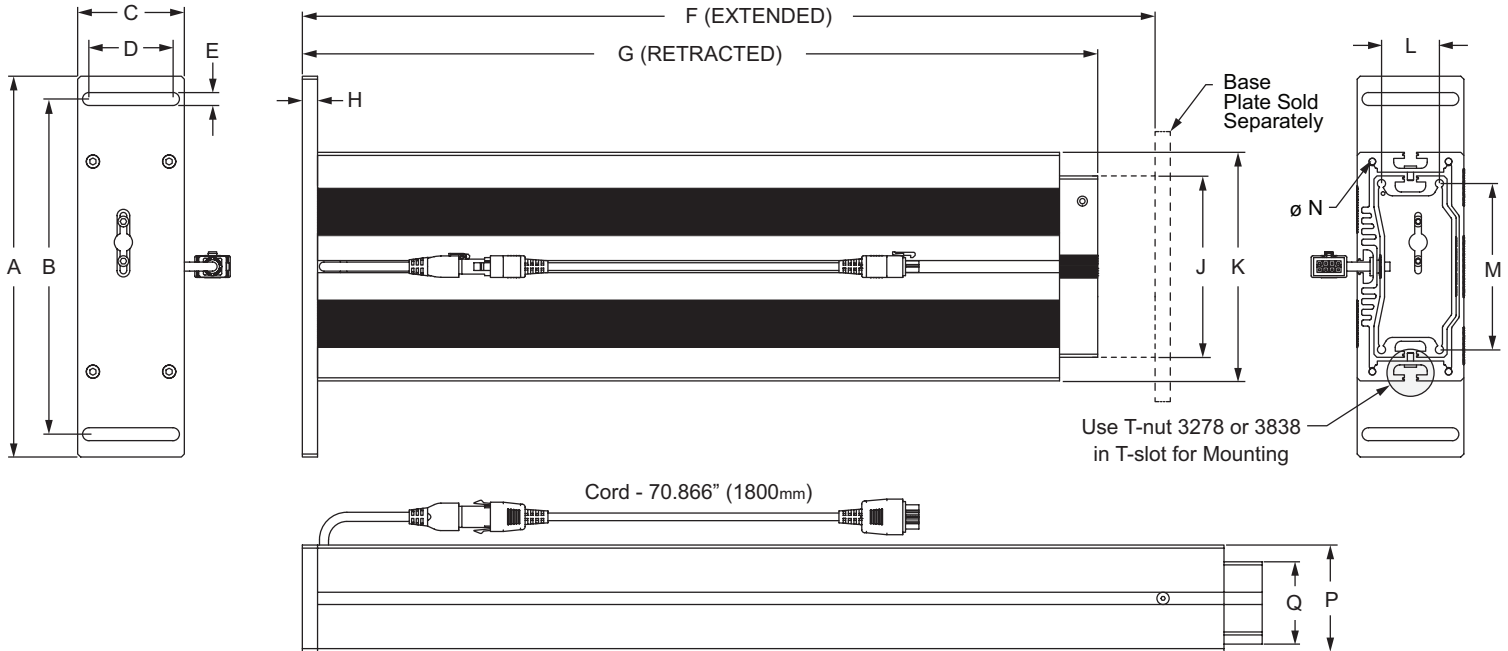
### Additional Column Lift System Components (Sold Separately)

Part No.	Description	More Details (page)
50002	Base Plate to Mount Column Leg to T-slot Profiles, 7.874" x 2.500"	4
50003	Base Plate to Mount Column Leg to Casters, 4.921" x 2.992"	4
50004	Sync Cable for Electric Lift Systems, 157.48" (4000mm) Length	3
50005	Motor Extension Cable for Electric Lift Systems, 47.24" (1200mm) Length (sold in pairs)	3
50006	Remote Control Extension Cable, 39.37" (1000mm) Length	3
50007	Foot Pedal with 78.74" Cable	5





## Electric Column Lift System



### Column Leg Dimensions

A	B	C	D	E	F	G	H	J	K	L	M	N	P	Q	Weight
9.842" (250.00mm)	8.661" (220.00mm)	2.755" (70.00mm)	2.165" (55.00mm)	.334" (8.50mm)	40.551" (1030.00mm)	24.803" (630.00mm)	.393" (10.00mm)	4.685" (119.00mm)	5.905" (150.00mm)	1.496" (38.00mm)	4.291" (109.00mm)	.208" (5.30mm)	2.755" (70.00mm)	2.125" (54.00mm)	20.500 lbs (9.300 kg)

Note: Required base plate to mount to T-slot or caster sold separately (see page 4)

### Material Specifications

Series	Material	Color	Stroke Length	Load Capacity per Leg	PLC Compatible
<b>15</b> <b>40</b> <b>45</b>	Aluminum	Gray	15.750" (400.00mm)	660 lbs (300 kg)	Yes

### Suggested Hardware (Mount to T-Slot)

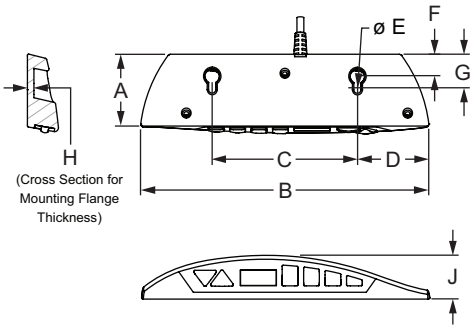
Series	Bolt PN	Qty.	Description
<b>15</b>	3150	4	5/16-18 x 1.00" Drop-in T-Slot Stud with Hex Nut
<b>40</b>	75-3501	4	M8 X 25mm Slide-in T-Slot Stud with Hex Nut, Washer
<b>45</b>	75-3635	4	M8 X 25mm Drop-in T-Slot Stud with Flanged Hex Nut



## Electric Column Lift System (continued)

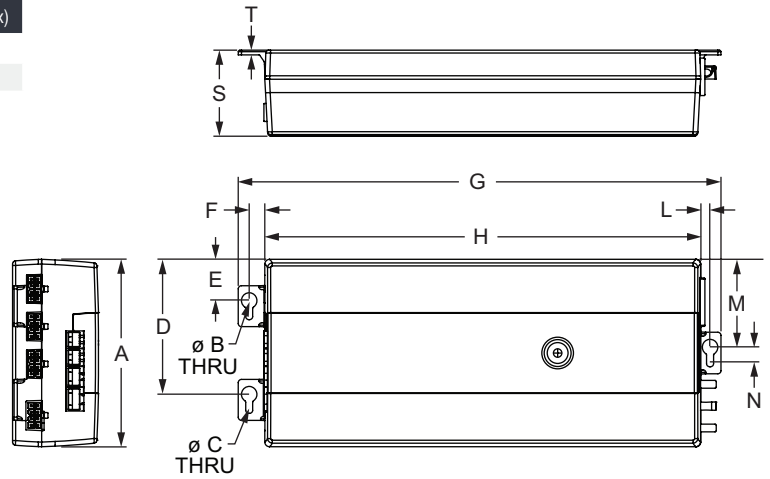
### Suggested Hardware (Mount Keypad or Box to T-Slot)

Series	Bolt	Qty. (Controller)	Qty. (Box)	T-Nut	Qty. (Controller)	Qty. (Box)
15 40	11-4312	2	3	13022	2	3
45	11-4312	2	3	13046	2	3



### Remote Keypad

A	B	C	D	E
1.800" (45.73mm)	6.558" (166.58mm)	3.305" (83.95mm)	1.625" (41.27mm)	.160" (4.06mm)
F	G	H	J	
.502" (12.76mm)	.802" (20.38mm)	.146" (3.69mm)	.999" (24.48mm)	



### Controller Box

A	B	C	D	E	F	G	H
4.724" (119.99mm)	.394" (10.01mm)	.157" (3.99mm)	3.40" (86.36mm)	1.039" (26.39mm)	.394" (10.01mm)	12.169" (309.09mm)	10.988" (279.09mm)
J	K	L	M	N	R	S	T
.22" (5.59mm)	3.602" (91.49mm)	.240" (6.09mm)	2.213" (56.21mm)	.416" (10.57mm)	2.347" (59.61mm)	2.166" (55.02mm)	.118" (2.99mm)

## Additional Cable Components (Sold Separately)



**50004**  
Sync Cable



**50005**  
Motor Extension Cable

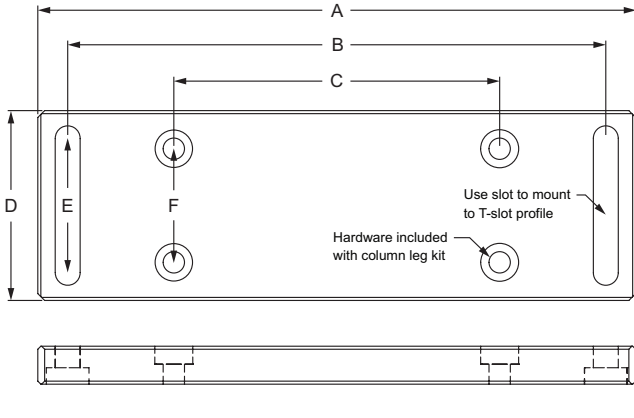


**50006**  
Remote Control Extension Cable

Part No.	Description	Weight
50004	Sync Cable for Electric Lift Systems, 157.48" (4000mm) Length	.244 lbs
50005	Motor Extension Cable for Electric Lift Systems, 47.24" (1200mm) Length (sold in pairs)	.415 lbs
50006	Remote Control Extension Cable, 39.37" (1000mm) Length	.078 lbs



## Base Plate for Mounting to T-Slot Profiles



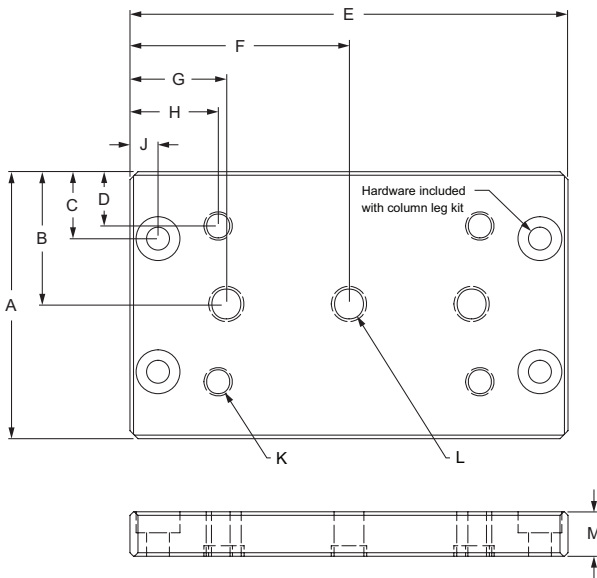
Part No.	Series	Material	Color	A	B	C	D	E	F	G	Weight
50002	<b>15</b> <b>40 45</b>	Aluminum	Gray	7.874" (199.99mm)	7.087" (180.01mm)	4.291" (108.99mm)	2.500" (63.50mm)	1.772" (45.00mm)	1.496" (37.99mm)	.500" (12.70mm)	.452 lbs (.2050 kg)

Note: Hardware to mount plate to column leg included in column lift system kits.

### Suggested Hardware (Mount to T-Slot)

Series	Bolt PN	Qty.	Description	T-Nut PN	Qty.	Description
<b>15</b>	3111	4	5/16-18 x .625" BHSCS	3203	4	Standard Slide-in
<b>40</b>	11-8316	4	M8 x 16mm BHSCS	40-1984	4	Standard Slide-in
<b>45</b>	11-8316	4	M8 x 16mm BHSCS	13049	4	Slide-in Self-Aligning

## Base Plate for Mounting to Casters



### Suggested Hardware (Mount to Caster)

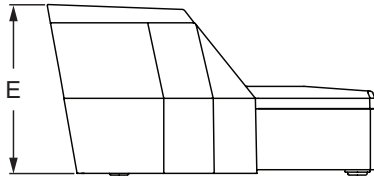
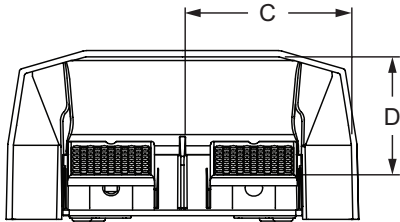
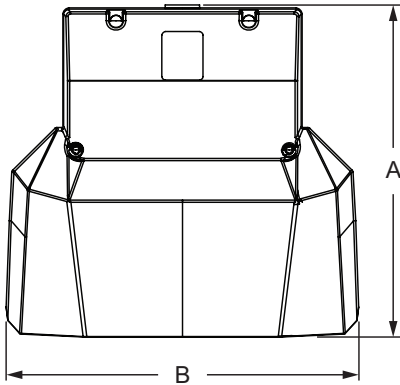
Series	Bolt PN	Qty.	Description
<b>15 40 45</b>	11-8512	4	M8 x 12mm SHCS

Part No.	Series	Material	Color	A	B	C	D	E	F	G	H	J	K	L	M	Weight
50003	<b>15</b> <b>40 45</b>	Aluminum	Gray	3.000" (76.20mm)	1.500" (38.10mm)	.752" (19.10mm)	.624" (15.85mm)	4.921" (124.99mm)	2.461" (62.51mm)	1.083" (27.51mm)	.991" (25.17mm)	.315" (8.00mm)	M8 x 1.25	M10 x 1.5	.500" (12.70mm)	.334 lbs (.1514 kg)

Note: Hardware to mount plate to column leg included in column lift system kits.



## Foot Pedal



Part No.	Series	Material	Color	A	B
50007	<b>F M</b>	Diecast Housing Thermoplastic Pedal	Blue	10.541" (267.74mm)	11.179" (283.95mm)

C	D	E	Weight
5.190" (131.83mm)	3.742" (95.06mm)	5.405" (137.28mm)	6.160 lbs (2.794 kg)

### Product Details

- Diecast housing-powder coated
- Shockproof thermoplastic pedal
- Self-extinguishing UL94-V0
- IP65
- Only compatible with 80/20 electric lift systems
- Allows easy hands free up/down control
- Programmable max upper and lower limits using standard keypad control
- 2000mm cable included for direct connection to controller, expandable when needed